



## MAIN FEATURE

1. High switching current up to 25A.
2. Operating ambient temperature range covers from -40°C to +105°C.
3. In accordance with IEC 60335-1 and IEC 60730-1.
4. Dielectric Strength up to 5,000VAC.
5. Comply with RoHS and REACH regulations.

## CONTACT RATING

Load Type	EMF (DM)	EMF (DB)
Rated Load (Resistive)	UL: 25A 250VAC	VDE: 16A 250VAC
	VDE: 18A 250VAC	
	UL: 25A 30VDC	UL: 25A 30VDC
Rated Carrying Current	25A	25A
Max. Allowable Voltage	AC 250V	AC 250V
	DC 30V	DC 30V
Max. Allowable Current	25A	25A
Max. Allowable Power Force	6,250VA	4000VA
	750W	750W
Contact Material	Ag Alloy	Ag Alloy
Contact Form	SPST	SPST

## APPLICATION

General Control, Home Appliance.

## PERFORMANCE (AT INITIAL VALUE)

- Contact Resistance ..... 100 mΩ Max. @1A,6VDC
- Operate Time ..... 12mSec. Max.
- Release Time ..... 8 mSec. Max.
- Dielectric Strength:
  - Between Coil & Contact ..... 5,000VAC at 50/60 Hz for one minute
  - Between Contacts ..... 1,000VAC at 50/60 Hz for one minute
- Insulation Resistance ..... 100MΩ Min. at 500VDC
- Max. On/Off Switching:
  - Electrical ..... 6 Cycles per Minute
  - Mechanical ..... 300 Cycles per Minute
- Temperature Range ..... -40~+105°C
- Humidity Range ..... 45~85% RH.
- Coil Temperature Rise ..... 35°C Max.

- Vibration:
  - Destruction ..... 10 to 55 to 10 Hz, 0.75 mm single amplitude (1.5mm double amplitude)
  - Malfunction ..... 10 to 55 to 10 Hz, 0.75 mm single amplitude (1.5mm double amplitude)
- Shock:
  - Destruction ..... 1,000 m/S<sup>2</sup>
  - Malfunction ..... 100 m/S<sup>2</sup>
- Life Expectancy:
  - Electrical ..... 10<sup>5</sup> Operations at Rated Resistive Load
  - Mechanical ..... 10<sup>7</sup> Operations at No load condition
- Weight ..... About 14 g

## SAFETY STANDARD & FILE NUMBER

- UL & C-UL ..... E141060
- VDE ..... 40009648

**COIL SPECIFICATION (AT 20°C)**

Coil Sensitivity	Nominal Voltage (VDC)	Nominal Current (mA)	Coil Resistance ( $\Omega \pm 10\%$ )	Power Consumption (W)	Pull-In Voltage (VDC)	Drop-Out Voltage (VDC)	Maximum Allowable Voltage (VDC)
EMF	3	133	22.5	Abt. 0.4	70% Maximum	DM: 10% DB: 5% Minimum	130%
	5	79	63				
	6	67	90				
	9	44	203				
	12	33	360				
	15	26	563				
	18	22	810				
	24	17	1,440				
	48	8	5,760				
60	7	9,000					

**ORDERING INFORMATION**

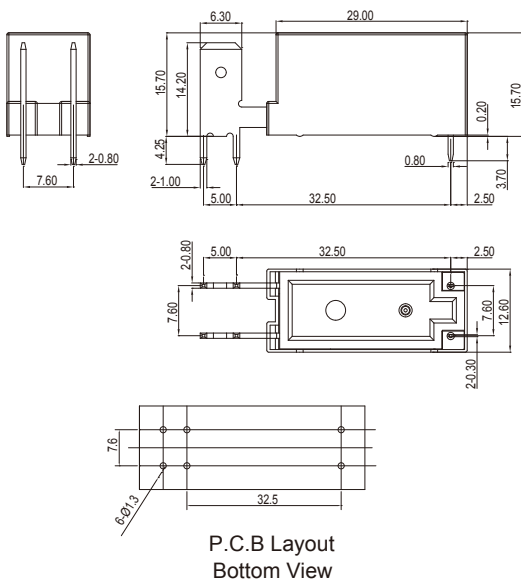
<b>EMF</b>	<b>-SH-</b>	<b>1</b>	<b>03</b>	<b>D</b>	<b>M</b>	<b>H</b>		
							<b>Terminal Type:</b>	<b>H:</b> Horizontal Bring Terminal <b>V:</b> Vertical Bring Terminal
							<b>Contact Form:</b>	<b>M:</b> One Form A <b>B:</b> One Form B
							<b>Coil Sensitivity:</b>	<b>D:</b> Standard DC
							<b>Coil Voltage:</b>	<b>03:</b> 3V, <b>05:</b> 5V, <b>06:</b> 6V, <b>09:</b> 9V, <b>12:</b> 12V, <b>15:</b> 15V, <b>18:</b> 18V, <b>24:</b> 24V, <b>48:</b> 48V, <b>60:</b> 60V
							<b>Number of Pole:</b>	<b>1:</b> One Pole
							<b>Type of Sealing:</b>	<b>SS:</b> RT II Flux Proofed <b>SH:</b> RT III Wash Tight
							<b>Type:</b>	<b>EMF</b>

**CLASSIFICATION**

Model	EMF	
Coil Sensitivity	Standard DC	
Contact Form	1A	1B
Flux Proofed	EMF-SS-1□□DM□	EMF-SS-1□□DB□
Wash Tight	EMF-SH-1□□DM□	EMF-SH-1□□DB□

**DIMENSION ( ≤ 5mm ± 0.2mm, > 5mm ± 0.3mm, the tolerance of PCB thru hole: +0.1mm)**

**EMF-SS/SH-V**



**EMF-SS/SH-H**

